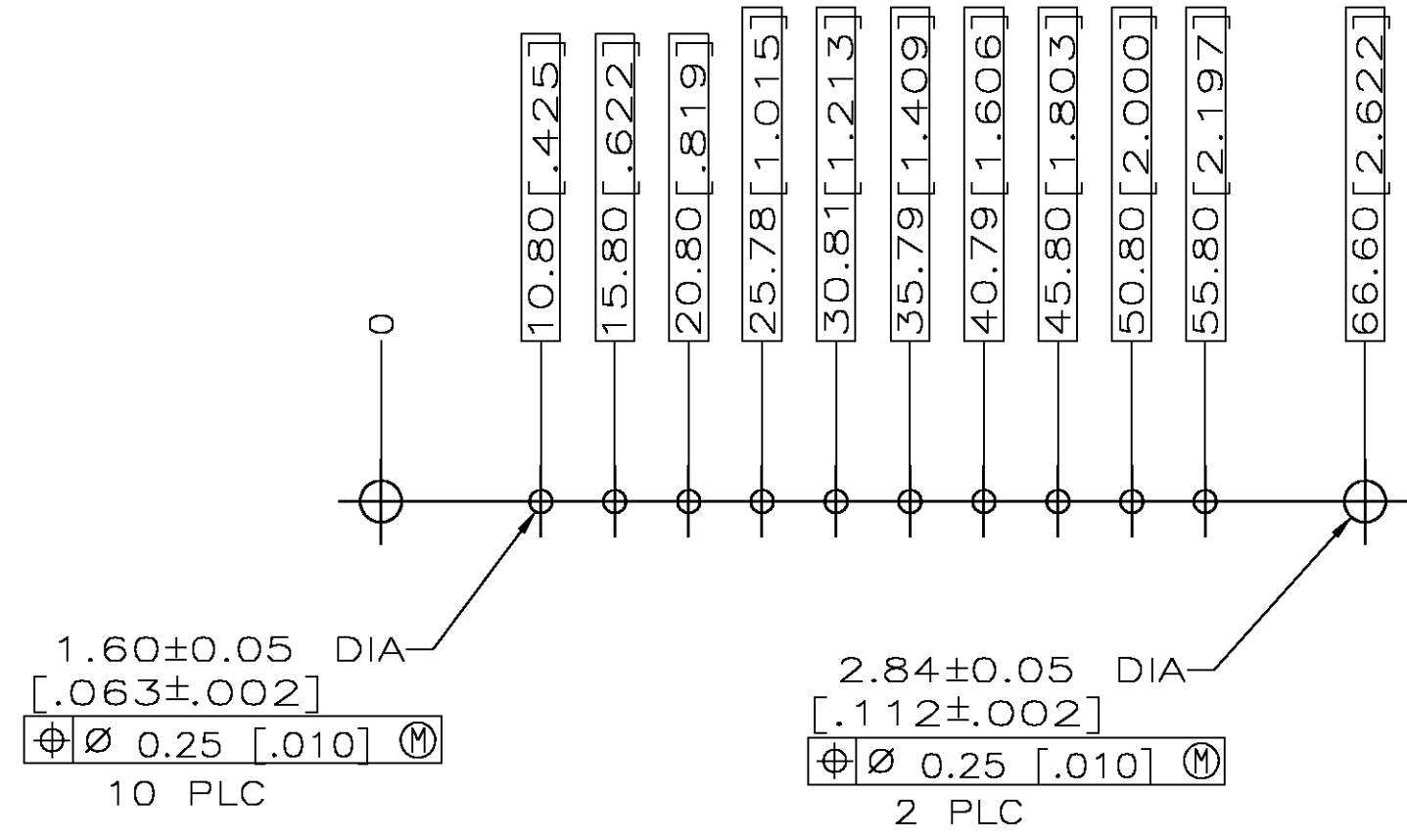
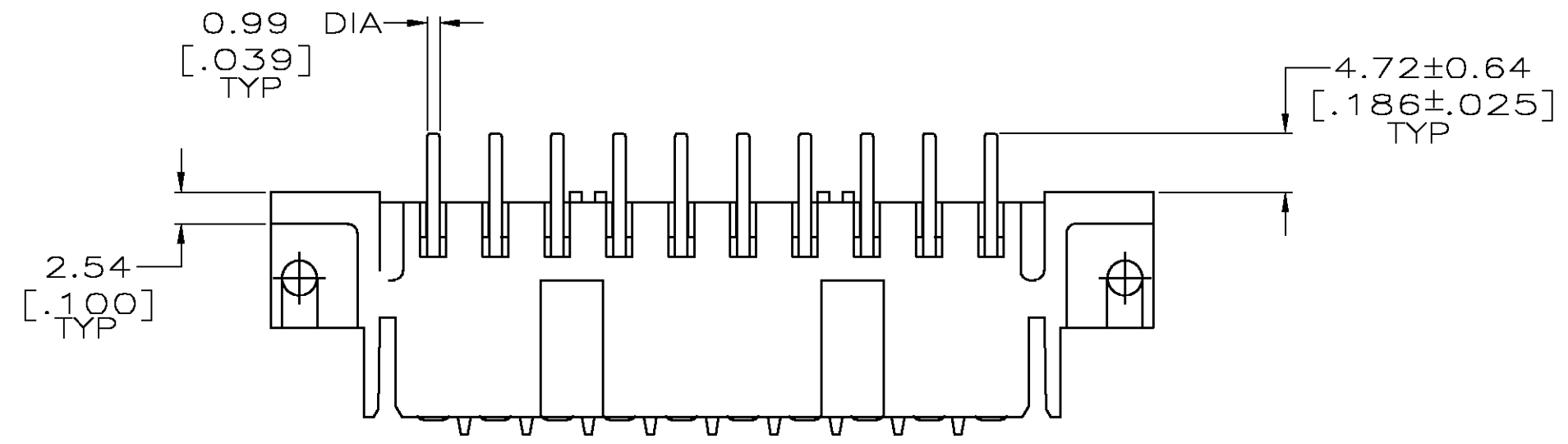
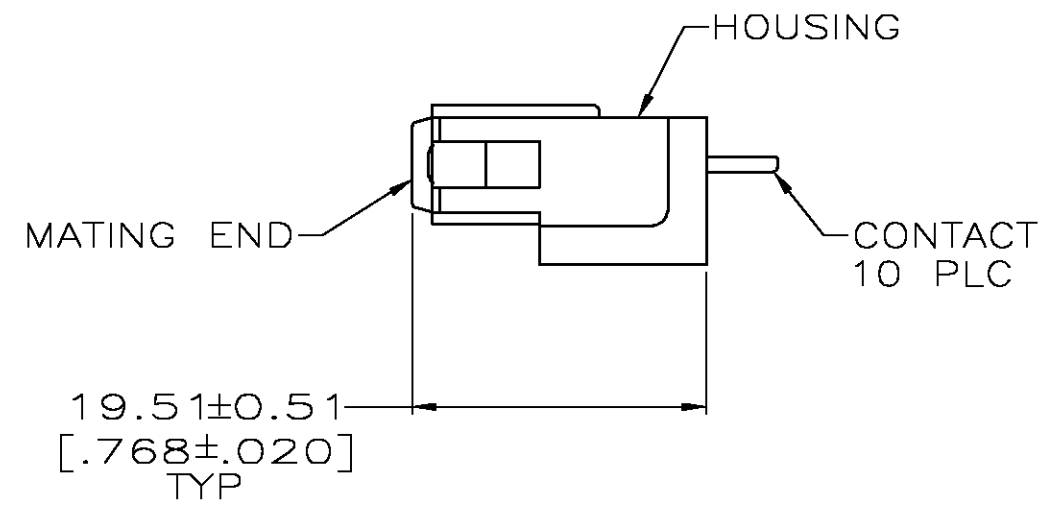
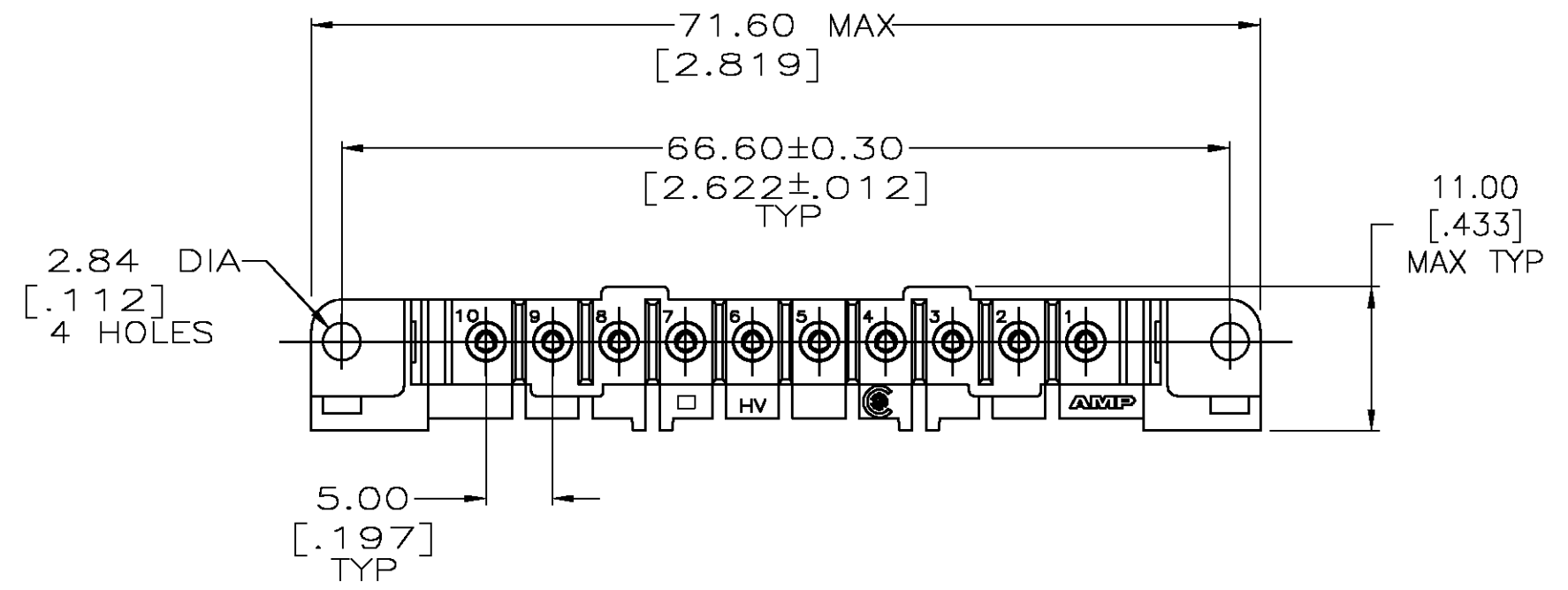


THIS DRAWING IS UNPUBLISHED. RELEASED FOR PUBLICATION  
 © COPYRIGHT BY TYCO ELECTRONICS CORPORATION. ALL RIGHTS RESERVED.

LOC		DIST		REVISIONS			
P	LTR	DESCRIPTION	DATE	DWN	APVD		
FT	0	H	REVISED PER 0G3B-0179-05	4/21/05	SS	GS	



RECOMMENDED PC BOARD LAYOUT



- HOUSING MATERIAL: NYLON, RED.
- CONTACT MATERIAL: PHOSPHOR BRONZE.
- 3.81um [.000150] MIN TIN-LEAD OVER 1.27um [.000050] MIN NICKEL.
- 0.76um [.000030] MIN GOLD FOR A LENGTH OF 5.08 [.200] MIN FROM MATING END, 3.81um [.000150] MIN TIN-LEAD FOR A LENGTH OF 5.36 [.211] MIN FROM OPPOSITE END, BOTH OVER 1.27um [.000050] MIN NICKEL.
- 3.81um [.000150] MIN TIN OVER 1.27um [.000050] MIN NICKEL.
- 0.76um [.000030] MIN GOLD FOR A LENGTH OF 5.08 [.200] MIN FROM MATING END, 3.81um [.000150] MIN TIN FOR A LENGTH OF 5.36 [.211] MIN FROM OPPOSITE END, BOTH OVER 1.27um [.000050] MIN NICKEL.

CONTACT FINISH	PART NUMBER
6	207613-7
5	207613-6
4	207613-3
3	207613-1

THIS DRAWING IS A CONTROLLED DOCUMENT.		DWN	L.SIPE	08/07/92	Tyco Electronics Corporation Harrisburg, Pa 17105-3608	
DIMENSIONS: mm [INCHES]		CHK	R.STONE	8-25-92	NAME	
TOLERANCES UNLESS OTHERWISE SPECIFIED:		APVD	-	-	PRODUCT SPEC	
0 PLC ± -		APPLICATION SPEC	-	-	APPLICATION SPEC	
1 PLC ± -		WEIGHT	-	-	SIZE	CAGE CODE
2 PLC ± 0.25 [.010]		FINISH	-	-	A2	00779
3 PLC ± -				DRAWING NO		RESTRICTED TO
4 PLC ± -				C=207613		-
ANGLES ± -				SCALE		SHEET
FINISH				2:1		1 OF 1
				CUSTOMER DRAWING		REV H

207613